



US00D451186B1

(12) **United States Design Patent**
Steiner

(10) **Patent No.:** **US D451,186 S**

(45) **Date of Patent:** **** *Nov. 27, 2001**

(54) **VOLLEY BALL SPORTS PORTABLE FAN**

D. 394,501 * 5/1998 Bloom D23/379
3,624,939 * 12/1971 Gossard D9/307

(76) Inventor: **Gregory A. Steiner**, 7 S 550 Donwood
Dr., Naperville, IL (US) 60567

* cited by examiner

(*) Notice: This patent is subject to a terminal disclaimer.

Primary Examiner—Lisa Lichtenstein
(74) *Attorney, Agent, or Firm*—Basil E. Demeur; Alan B. Samlan

(**) Term: **14 Years**

(21) Appl. No.: **29/128,678**

(22) Filed: **Aug. 29, 2000**

(51) **LOC (7) Cl.** **23-04**

(52) **U.S. Cl.** **D23/379**

(58) **Field of Search** D20/95; 416/146 R;
D9/307; D23/379, 370, 328, 378

(56) **References Cited**

U.S. PATENT DOCUMENTS

D. 349,954 * 8/1994 Steiner D23/379

(57) **CLAIM**

I claim the ornamental design for a volley ball sports portable fan, as shown and described.

DESCRIPTION

FIG. 1 is a front elevational view; and,
FIG. 2 is a side elevational view thereof, the other side being a mirror image of that shown.

1 Claim, 2 Drawing Sheets

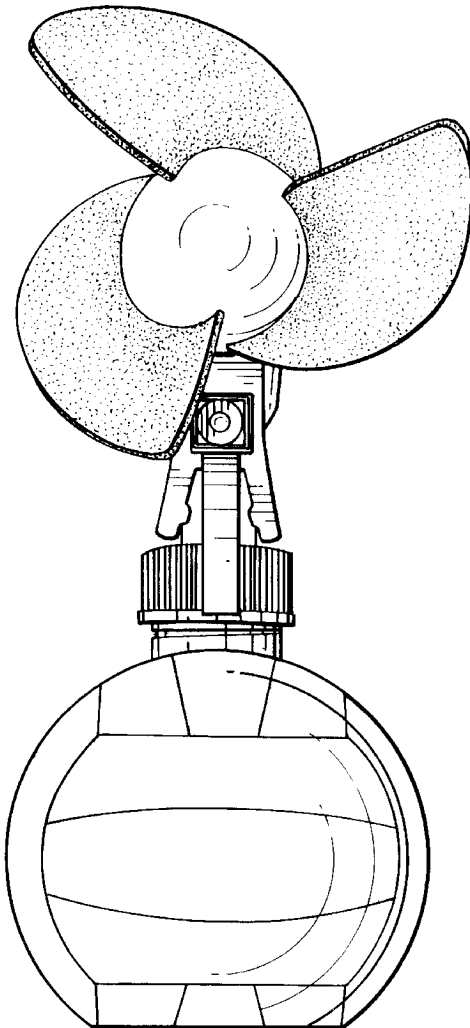


FIG. 1

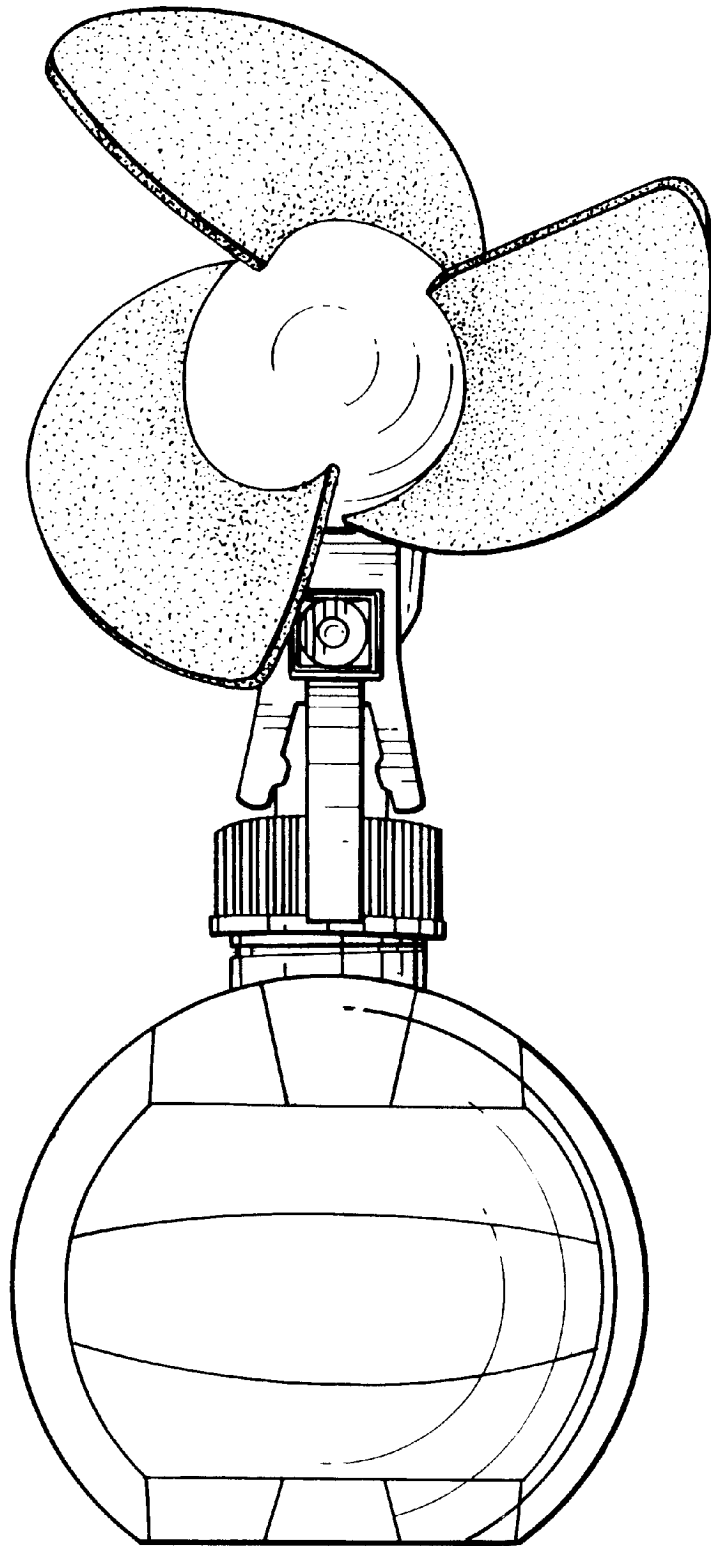


FIG. 2

